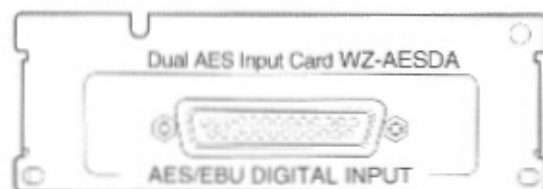


Panasonic

Dual AES Input Card Instructions

Model No. WZ-AESDA

RAMSA



Before attempting to connect or operate this product,
please read these instructions carefully and save this manual for future use.

Introduction

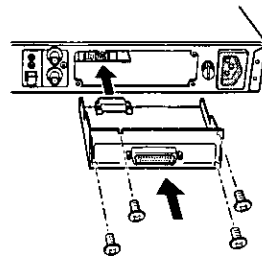
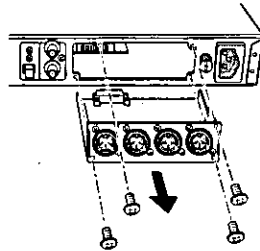
The WZ-AESDA is an option card to be installed in the DA Converter WZ-DA96. This card receives an 8-channel, 24 bit, 96 kHz digital audio input signal in a format that conforms to the AES Dual Mode standard.

Warning!

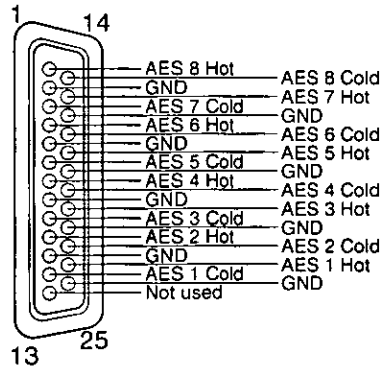
The installation shown below should be made by qualified service personnel or system installers.

Installation

1. Plug off the power cord of the converter from an AC outlet.
2. Loosen four screws as illustrated, then remove the standard AES/EBU input block from the rear of the DA Converter.
3. Place the option card into the opening, then push it to the end.
4. Fasten the four screws to fix the option card.



Pin Assignment



Recommended Cable

Panasonic part # 96DB-XLRF (DB-25 to 8 Female XLR, Length 3m), DA Input cable is recommended.

Specifications

Input Connector	DB25
Format	24-bit, AES/EBU (AES3-1992)
Signal Level	RS-422
Channel Mode	8 ch x 2, 24bit, 44.1/48 kHz, Normal AES 8 ch x 2, 24bit, 88.2/96 kHz, Double-Speed AES 8 ch, 24bit, 88.2/96 kHz, Dual AES
Dimensions (mm)	108(W) x 37(H) x 62(D)
(inch)	4-1/4(W) x 1-7/16(H) x 2-7/16(D)
Weight	100 g (0.22 lbs)

Panasonic Security and Digital Imaging Company
A Division of Matsushita Electric Corporation of America
Professional Audio Group

Headquarters:

One Panasonic Way 3E-7, Secaucus, New Jersey 07094

Regional Offices:

EASTERN: One Panasonic Way, Secaucus, NJ 07094 (201) 392-4429

WESTERN: 6550 Katella Ave., Cypress, CA 90630 (877) 733-3689